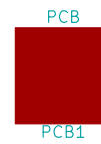
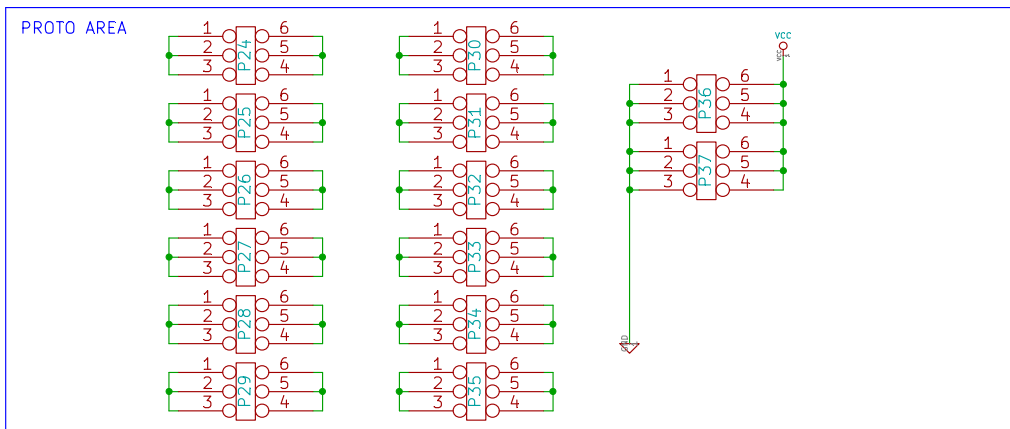
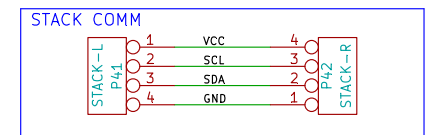
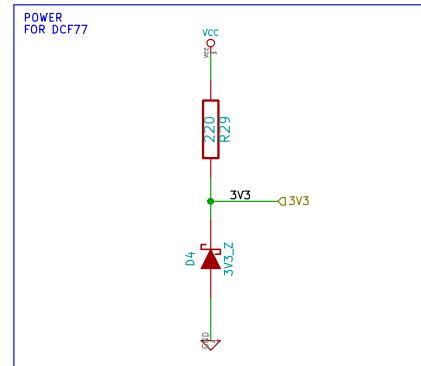
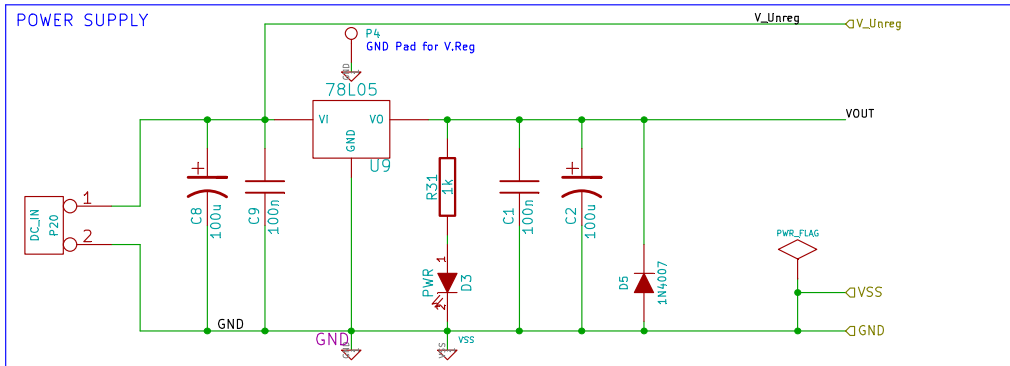
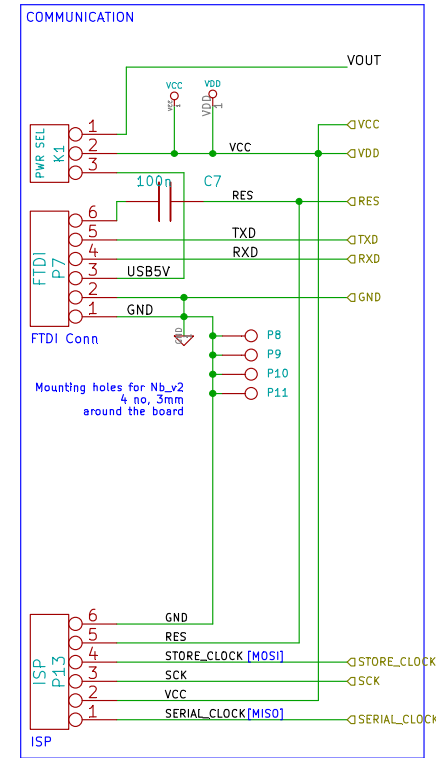
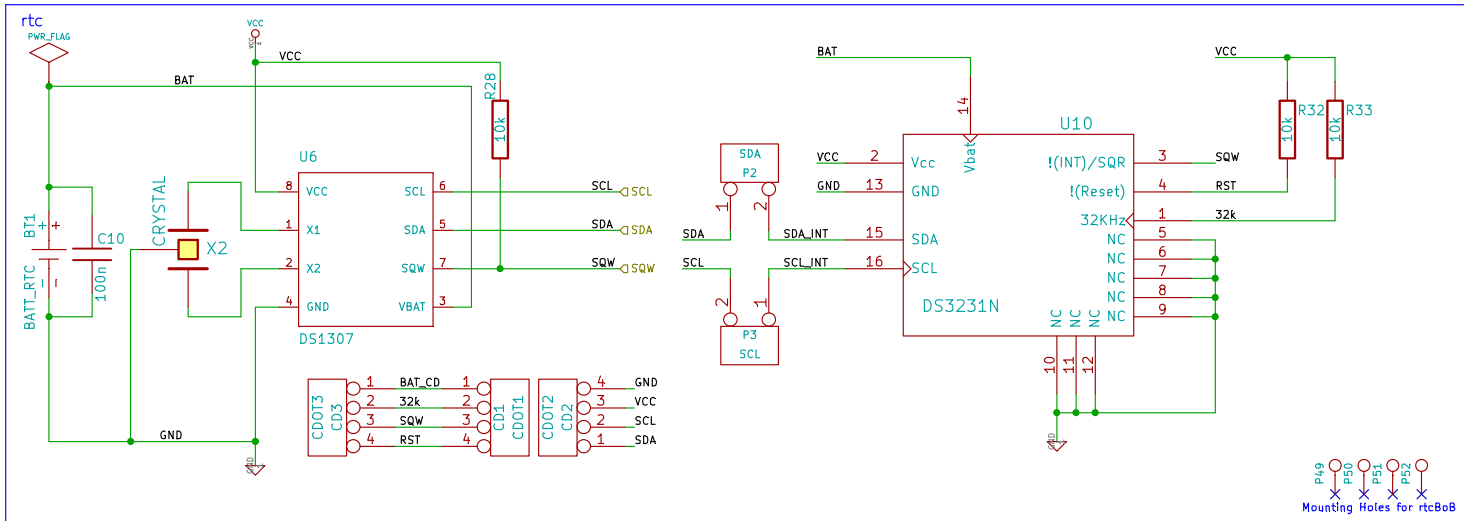


wyjustin@gmail.com :: anool.m@gmail.com
www.wyolum.com

File: Nb_v2.sch
Sheet: /

Title: Nachbau - WordClock

Size: A4	Date: 27 apr 2012	Rev: A
KiCad E.D.A. eschema (2011-12-28 BZR 3254)-stable		Id: 1/2



wyojustin@gmail.com :: anool.m@gmail.com
 www.wyolum.com

File: Nb_v2-Aux.sch
 Sheet: /Nb_v2-Aux/
Title: NachBau - WordClock

Size: A4	Date: 27 apr 2012	Rev: A
KiCad E.D.A. eeschema (2011-12-28 BZR 3254)-stable		Id: 2/2

Stack-L and Stack-R have inverted pin nos since one is facing left and other is facing right. When mounted this way on the board, tracks from one to the other will be parallel - no cross over.